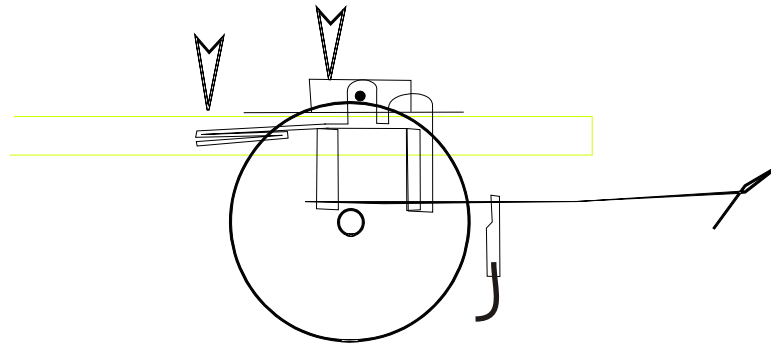


AJ-Aid Mini-Fit version - where other versions won't fit.



Fold up the main etched coupling support as shown. This fits beneath the coupling saddle and should be attached by a loose fit wire (too tight a fit stops the coupling support moving as required). The two "wings" of the coupling support locate it at rest and should not be bent more than 45 degrees from horizontal. The counter-balance weight should fold up and always be heavier than the coupling hook. As the coupling usually drops to allow uncoupling the weight must be bent downward otherwise when it touches the saddle it will stop that movement. Two etched "pip" points should be pushed out (as rivetting) to stop "sticktion" of the support against the saddle. A second coupling support frame needs to be added to the main support frame - this provides additional stability to the coupling hook location.

A dropper arm - to which a steel or iron end must be added for magnetic uncoupling is provided to add to the Alex Jackson hook wire. It need not be fixed to the wire until its location has been determined.

A push down pad is now provided on AJ-Aid (counter-balance) parts to enable remote uncoupling.

